

PRODUCT DESCRIPTION

TMB 2+n TurboEDGE System for 1800/1900 MHz

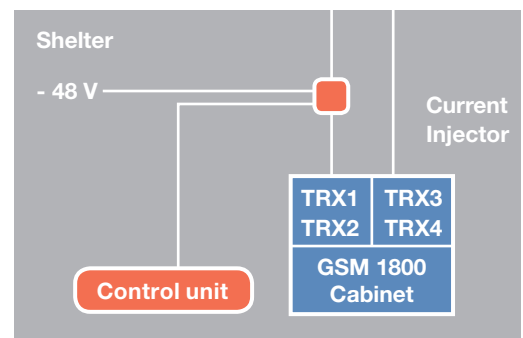
*Boosting GSM coverage by 50 - 200%
in high capacity towers and roof top sites*

The TMB 2+n TurboEDGE System from Radio Components provides a cost efficient coverage enhancement for GSM 1800 or 1900 MHz operators with high capacity rural and city sites. The offered traffic capacity is typically four or more TXs per sector, where two carriers are boosted to increase the coverage. For higher capacity requirements, two TMB 2+n can be deployed in one sector offering four boosted carriers.

The TMB System is fully compatible and transparent with any GSM base station and is in service with most of the major BTS types offered on the market. It is ideally suited for sites with long feeders and that uses combiners where the coverage is typically increased by 50-200%. This spans a wide variety of sites, both in rural and urban areas.

For each antenna sector the following main components are supplied:

- One compact and lightweight TMB for tower or roof top mounting close to the antenna. The TMB amplifies both downlink (DL) and uplink (UL) signals over the full system band.
- One Current Injector (CI), which feeds DC power to the TMB, provides data communication between CU and TMB and includes built-in lightning protection
- One Control Unit (CU) for installation in (or close to) the RBS cabinet. It provides control, monitoring and alarm handling remotely (Ethernet or GPRS modem) and locally on site. The CU connects up to six TMB 2+n.



System configuration for TMB 2+n TurboEDGE



TMB 2+n TurboEDGE

The TMB 2+n TurboEDGE is manufactured for both 1800 MHz and 1900 MHz to support operators all around the world. The key competitive advantage with Radio Components' TMBs, also highlighted in the specification below, is:

- Channel selective with automatic channel scanning function, supporting two TRXes in one feeder
- Exceptional reliability (arctic and tropical climates)
- Very easy to install, operate and maintain (superior communication features)
- Best radio coverage performance on the market (best sensitivity and optimized link budget)
- No separate power and signaling cables (uses the feeders)
- Full ETSI compliance and certified in many countries

The TMB 2+n TurboEDGE is connected to two feeders and can amplify two TRXs from one of the feeders. The TRXs in the other feeder are not amplified but form a smaller sector. The block diagram of the TMB 2+n is shown in the figure below.

