

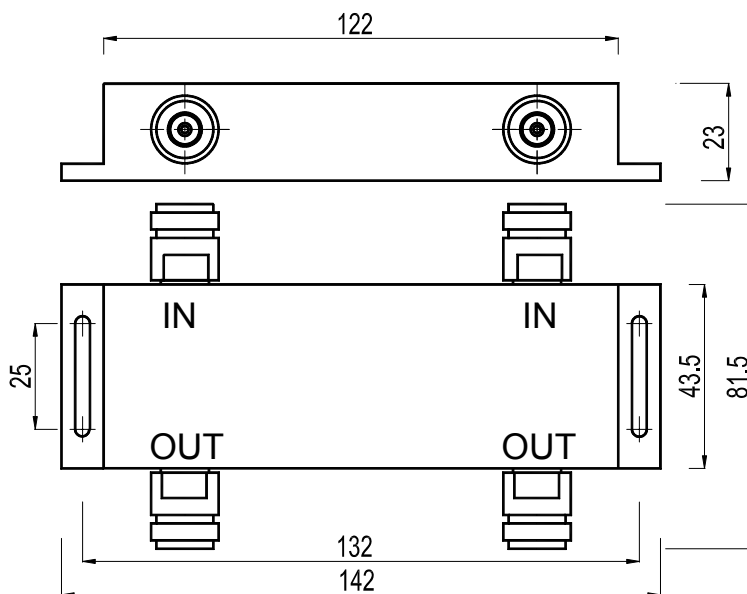
## Wide Band 3dB Combiner (2in 2out)

Model : PW-8005

- 1、 Part Number : PW-8005
- 2、 Product Name : 2in-2out Wideband Combiner

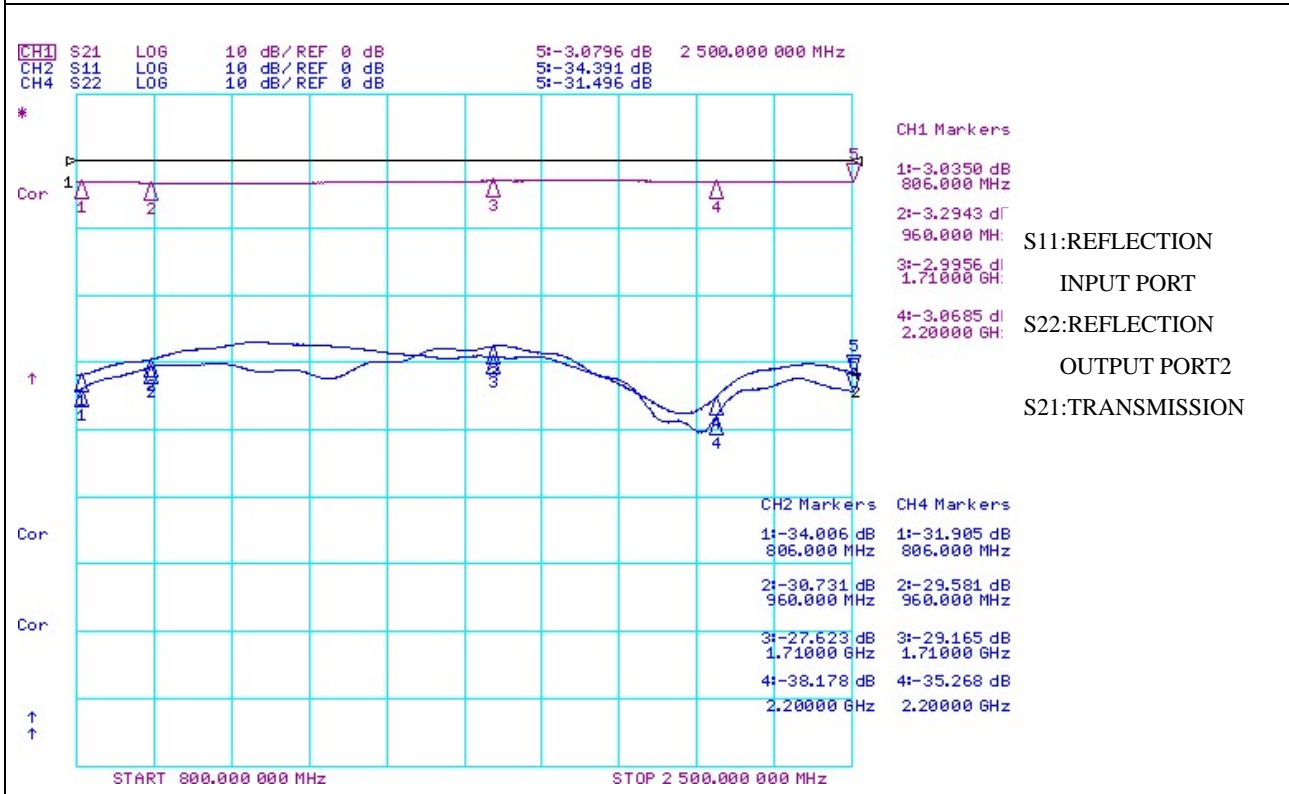
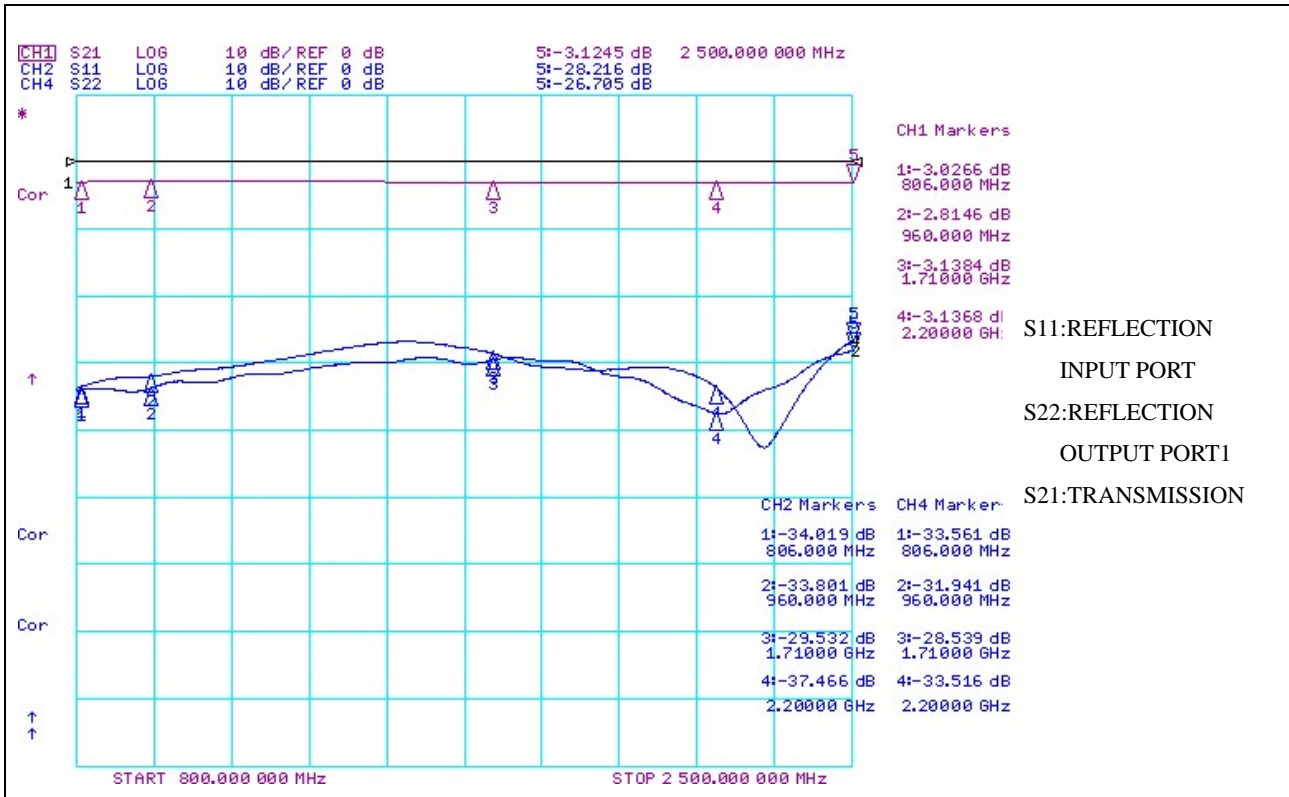
Frequency(MHz)	800 ~ 2500
Coupling loss(dB)	3.0±0.3
Insertion Loss(dB)	≤3.5
Isolation(dB)	≥25
Return Loss(dB)	≥20
Impedance(Ω)	50
Inter-modulation Distortion(dBc)	≤-140@+43dBm×2
Connector	N-F
Power Rating(W)	240 CW (120W per input)
Temperature(□)	-30~+70
Size(mm)	142×44×23
Weight(kg)	0.41

### 3. Dimension :



## PASSIVE COMPONENTS SPECIFICATION GRAPH

DATE:2006-4-24



## PASSIVE COMPONENTS SPECIFICATION GRAPH

DATE:2006-4-24

