

CDMA800 & GSM900/1800 & UMTS / WIFI Combiner

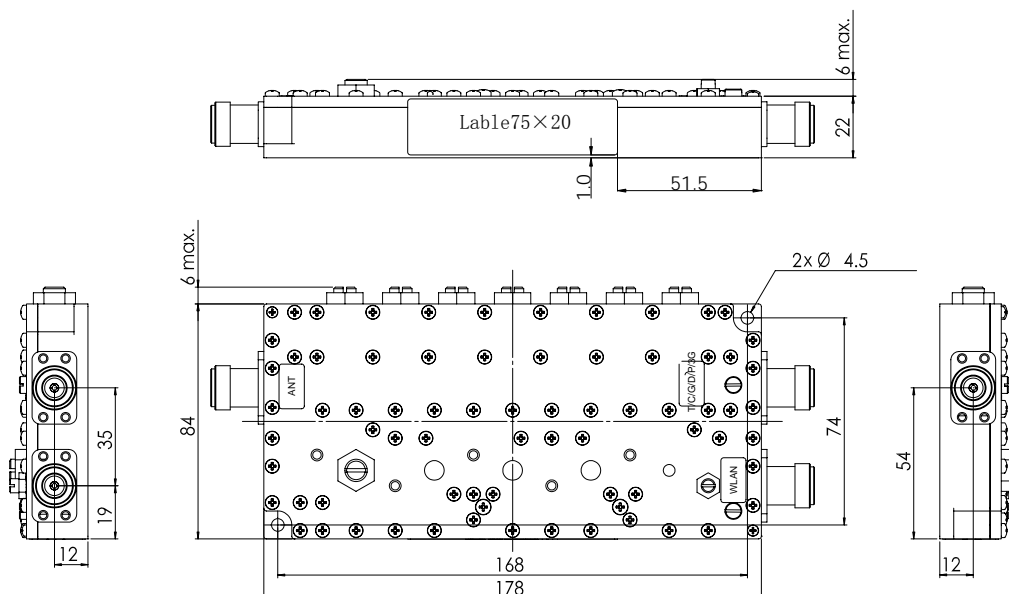
Model : PW-DUP-8022-E

1、 Part Number: PW-DUP-8022 ver E

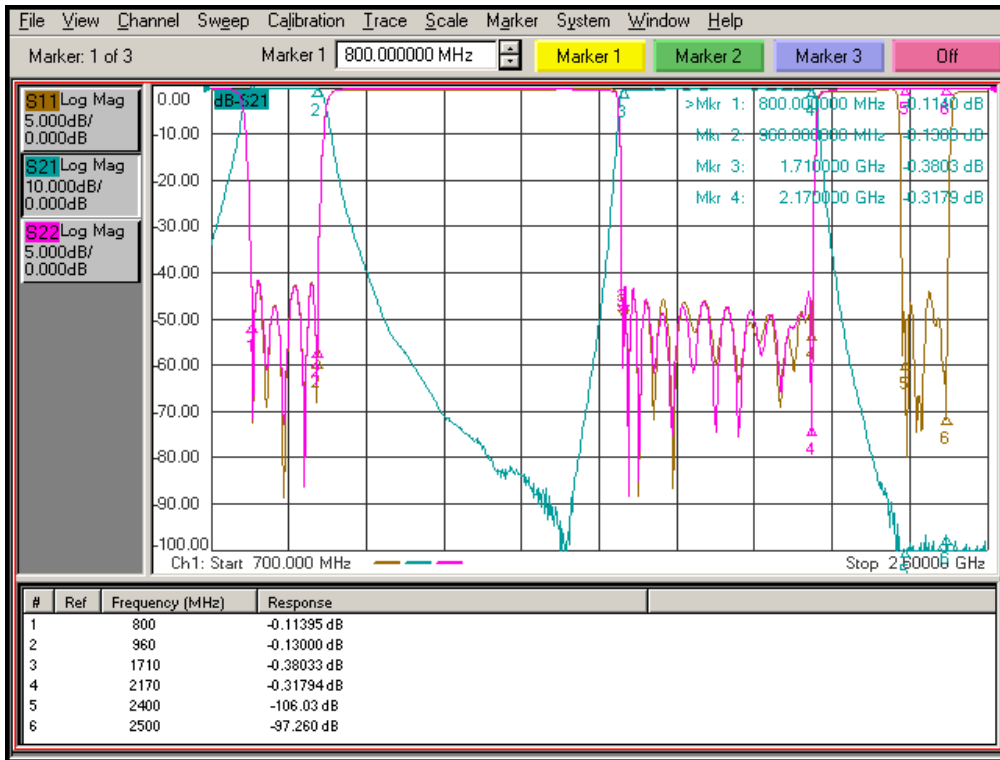
2、 Name: Dual-band Combiner

	CH1	CH2
Freq. Range (MHz)	800-2200	2400~2500
Band width (MHz)	1400	100
Insertion loss (dB)	≤0.3	≤0.6
Ripple (dB)	≤0.2	≤0.3
Stop Attenuation (dB)	≥90@CH2	≥90 @CH1
Isolation (dB)	≥90@CH2	≥90 @CH1
Return loss (dB)	≥ 20	
Impedance (Ω)	50	
PIM (dBc)	≤-140@+43dBm×2	
Connector	N-F	
Power (W)	100	
Temp. (□)	-25 to +65	
Dimension (mm)	178 × 84 × 22	
Weight (kg)	1.00	

3、 Dimension:



Rejection / Guard Band Graph at 824~960Mhz and 1710~2170 Mhz



Rejection / Guard Band Graph at 2400-2500Mhz

