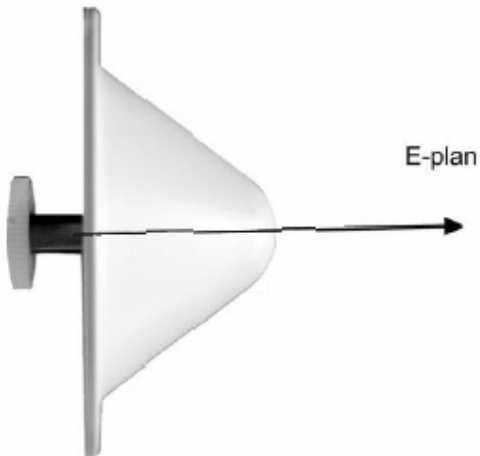


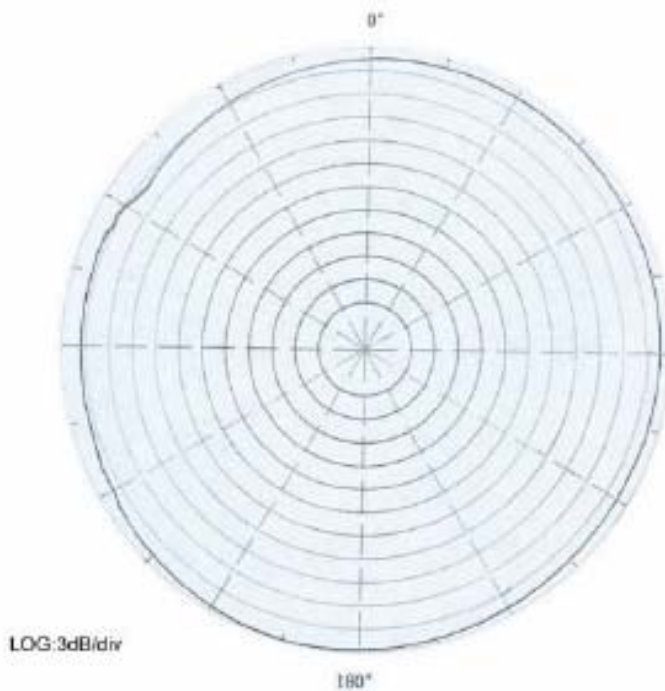
PW-O-824/2500 Measurement Data

This document contains radiation pattern diagrams and gain diagrams on the **PW-IOA-824/2500**.

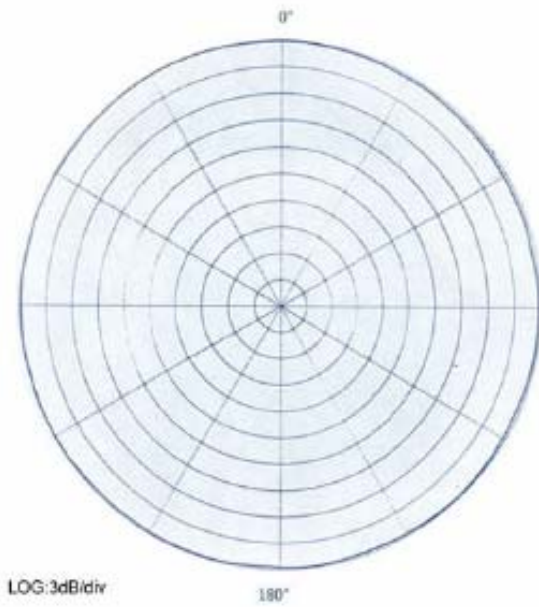
Radiation plots (dB scale):



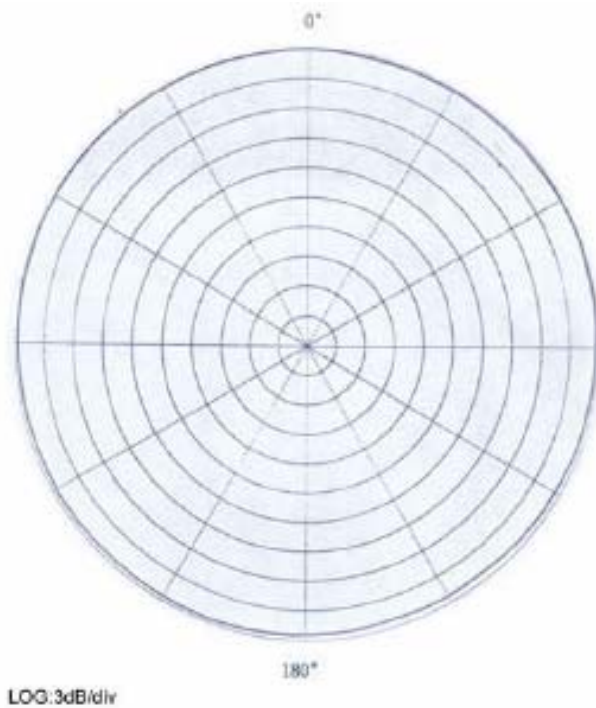
824MHz, H-plan:



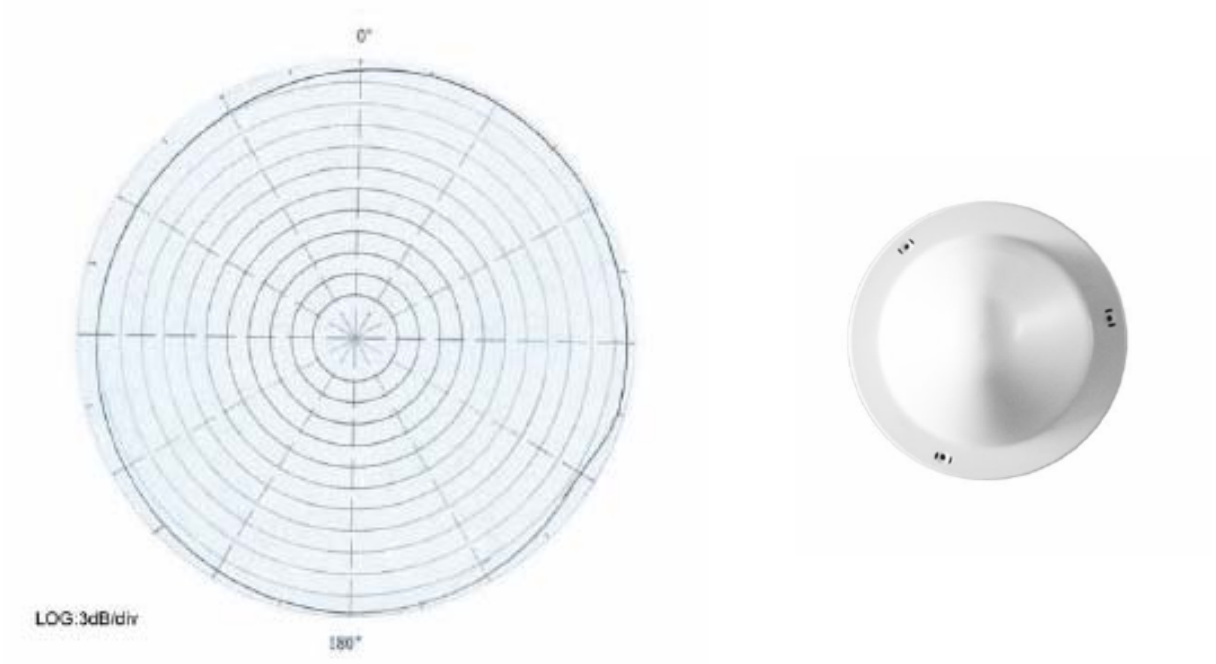
900MHz, H-plan:



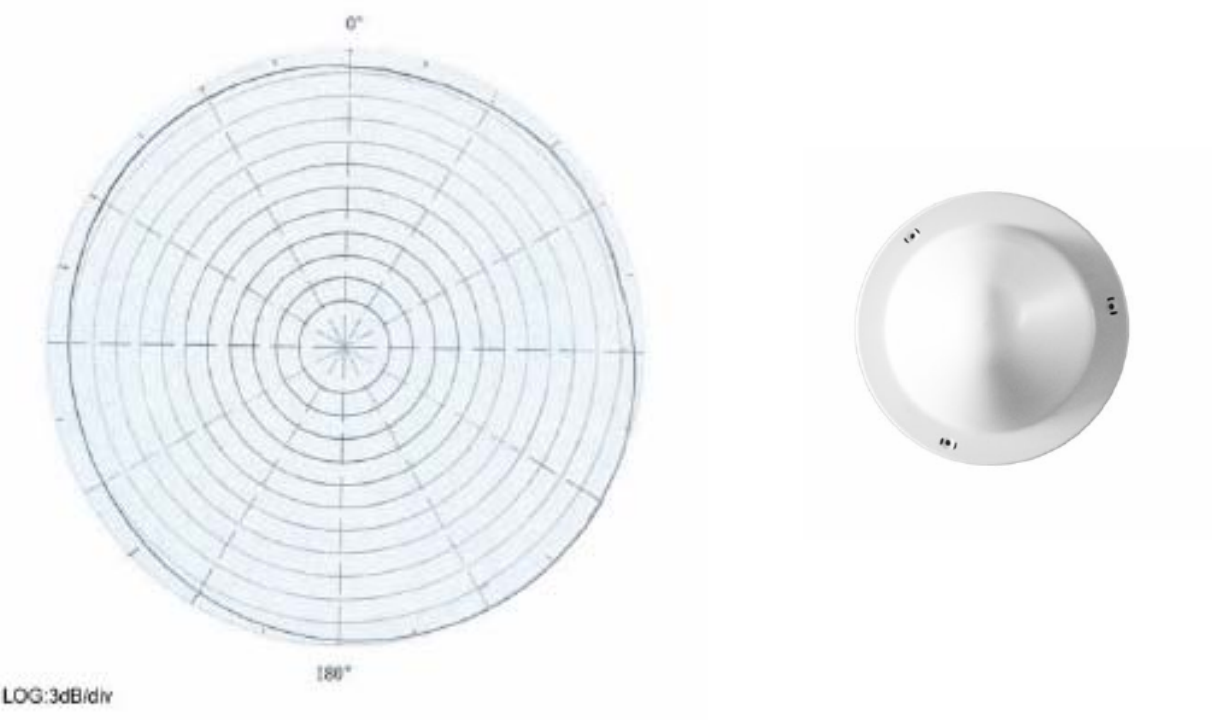
960MHz, H-plan:



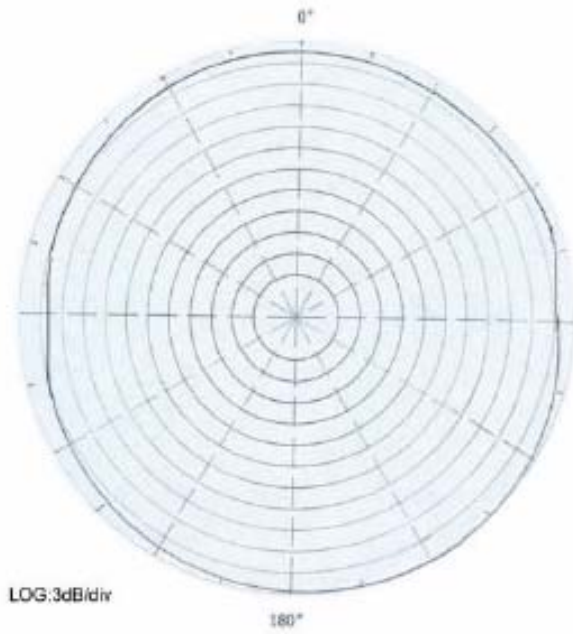
1710MHz, H-plan:



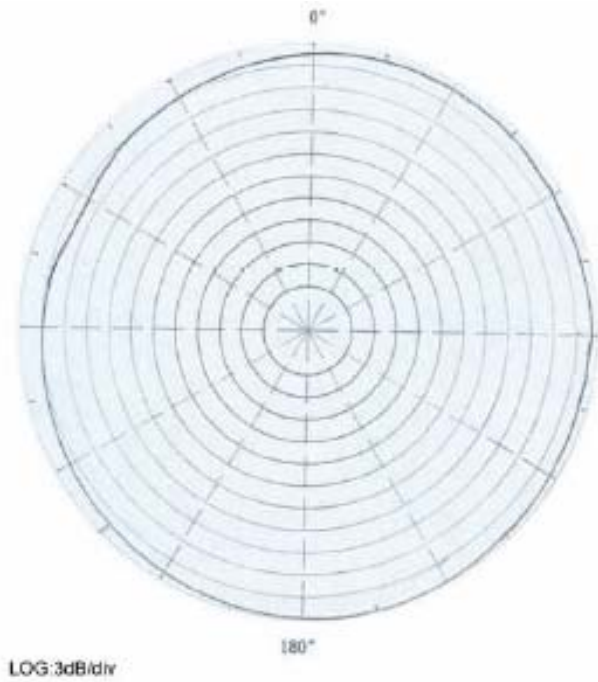
2170MHz, H-plan:



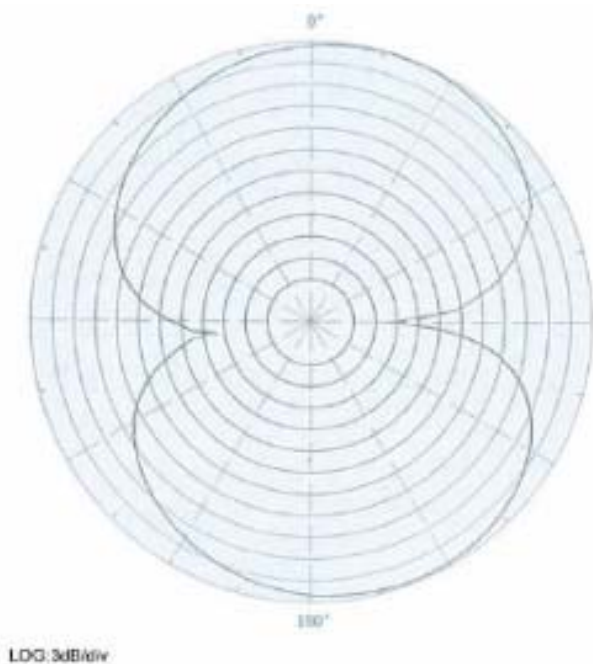
2400MHz, H-plan:



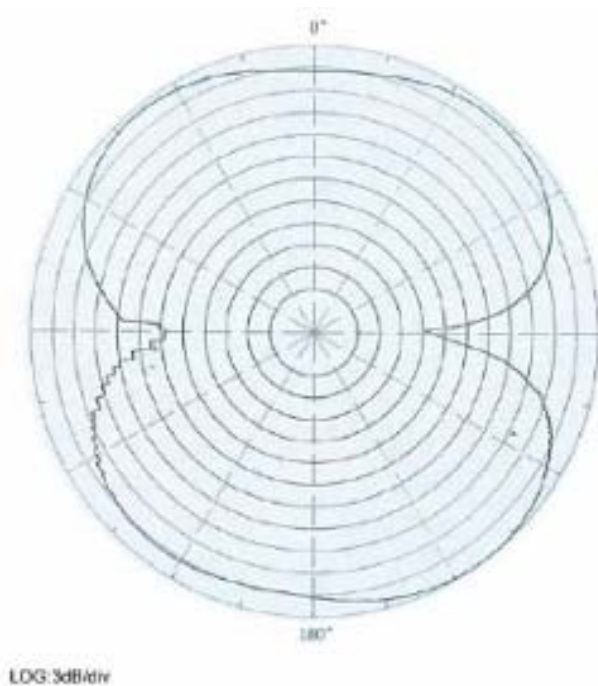
2483MHz, H-plan:



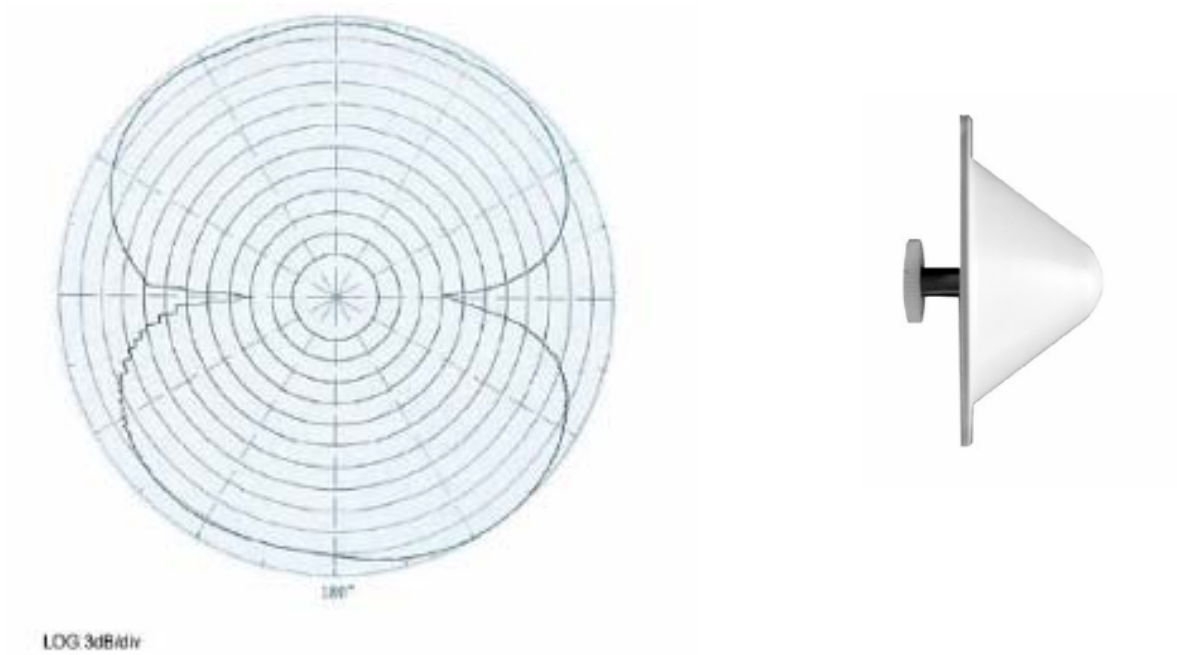
824MHz, E-plan:



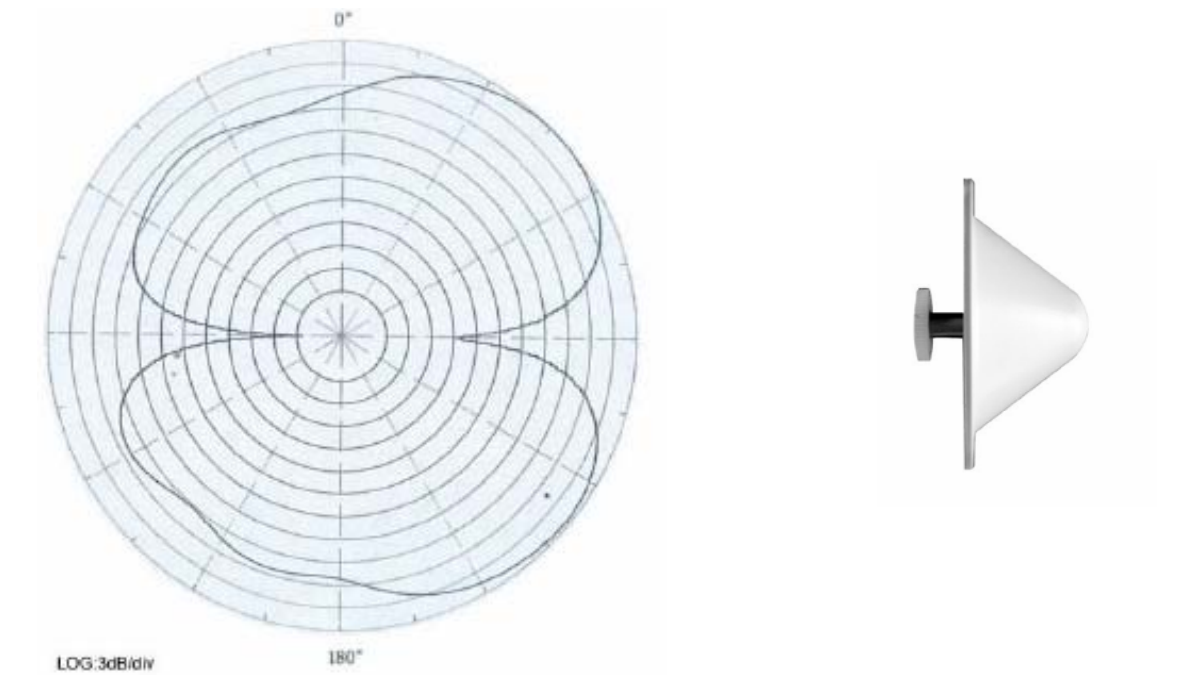
900MHz, E-plan:



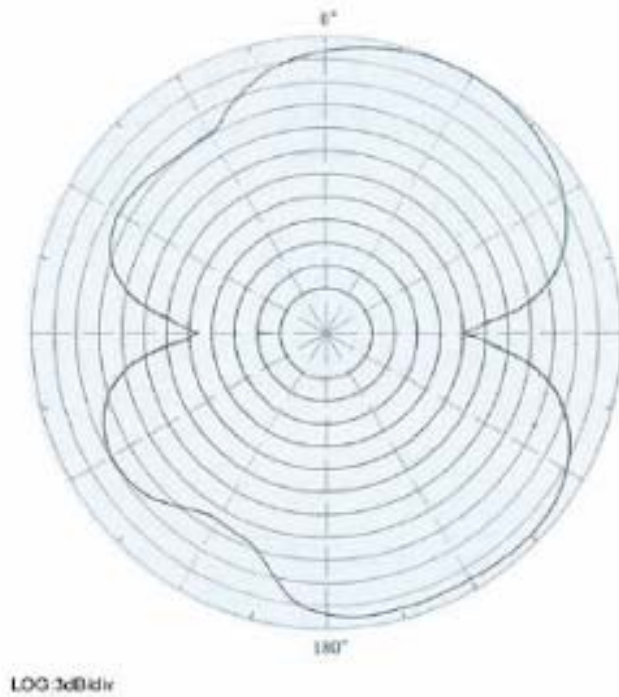
960MHz, E-plan:



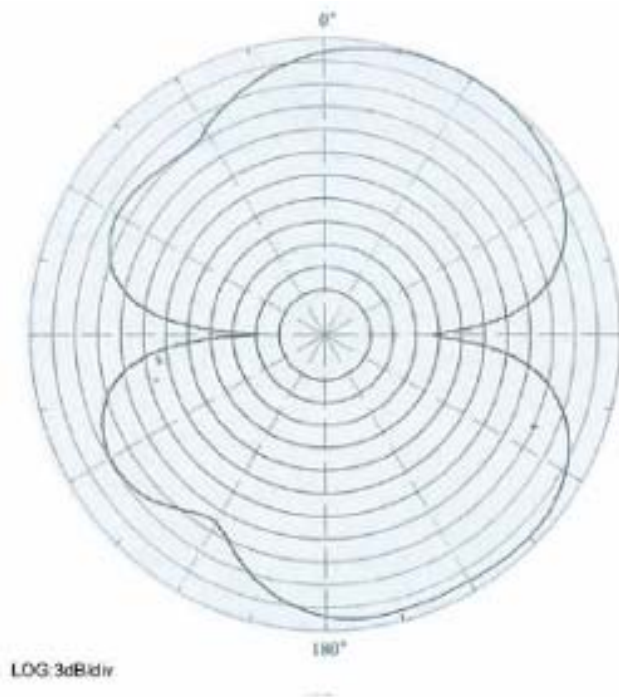
1710MHz, E-plan:



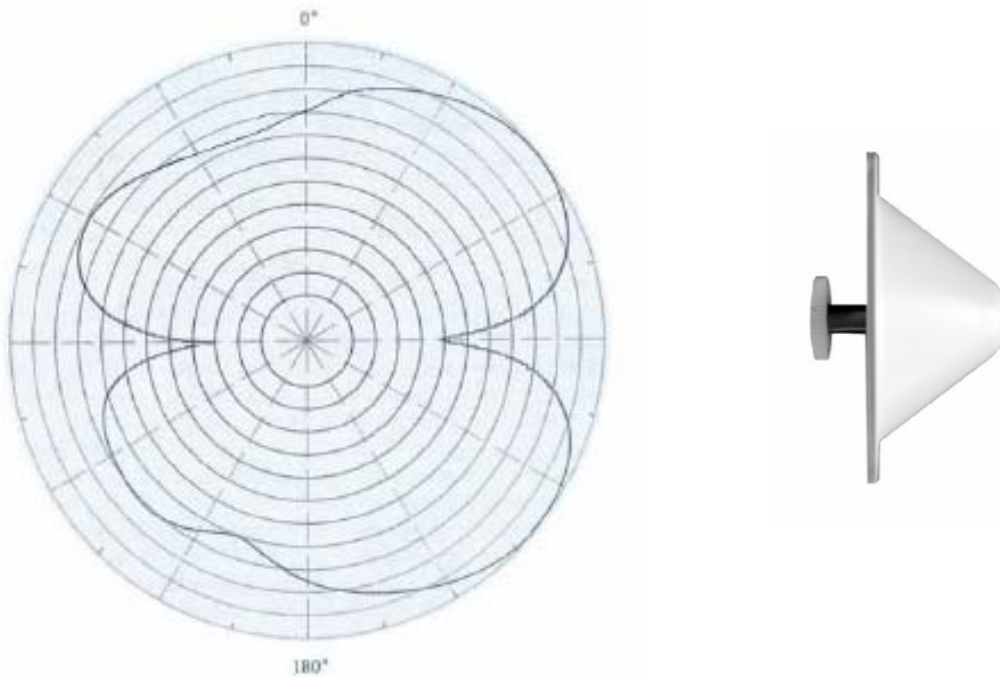
2170MHz, E-plan:



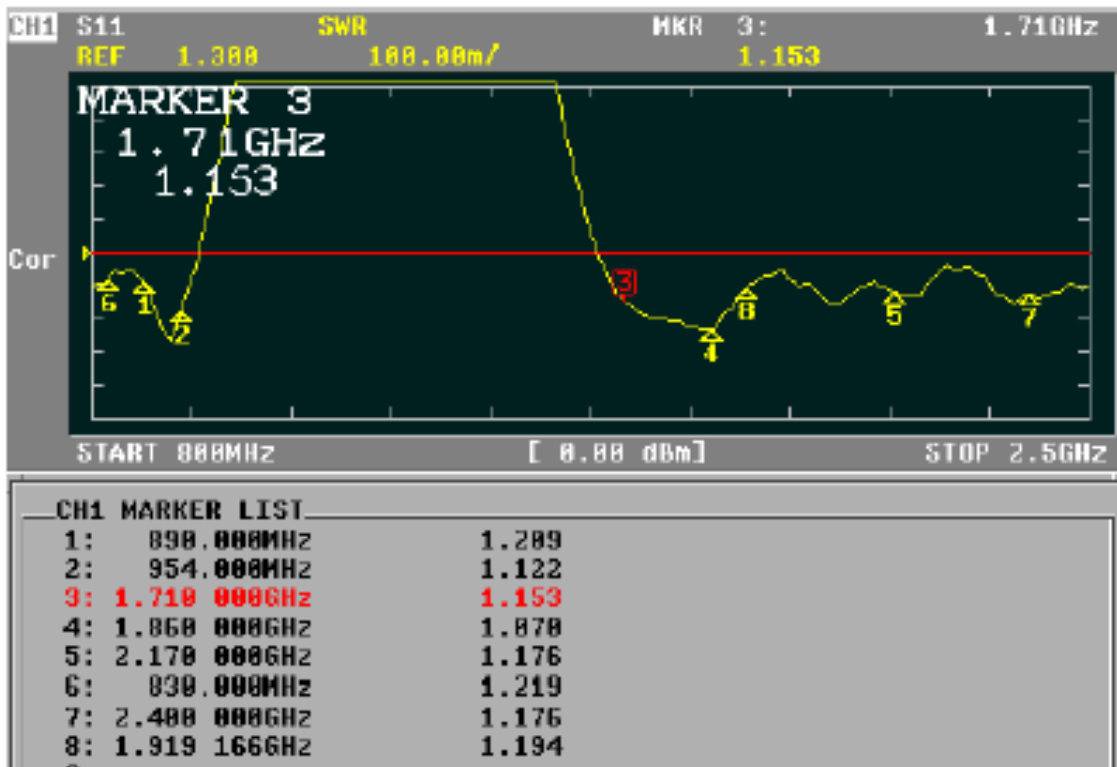
2400MHz, E-plan:



2483MHz, E-plan:

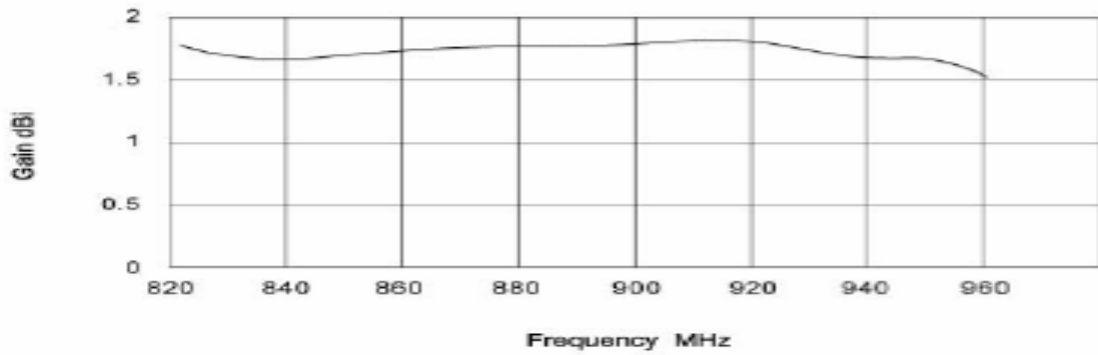


Typical VSWR Curve:

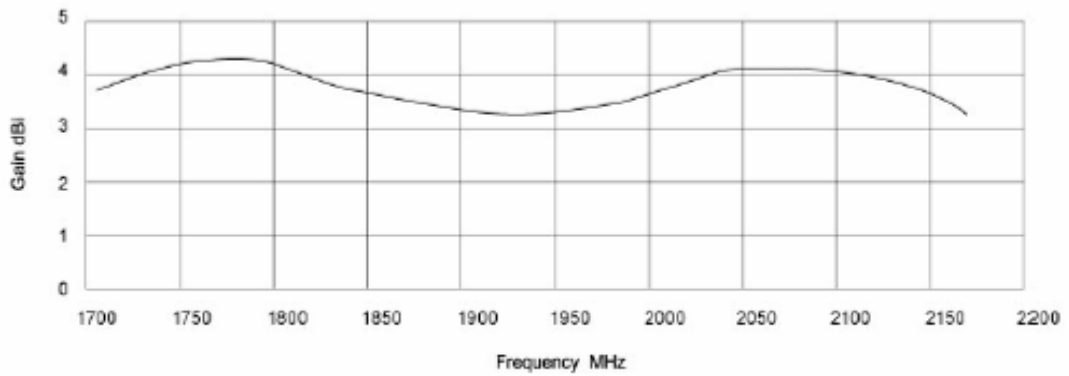


Gain Curve:

IOA-824/2500 Gain values.
 Typical. incl. 1 m RG58 cable



IOA-824/2500 Gain values
 Typical. incl. 1 m RG58 cable



IOA-824/2500 Gain values
 Typical. incl. 1 m RG58 cable

