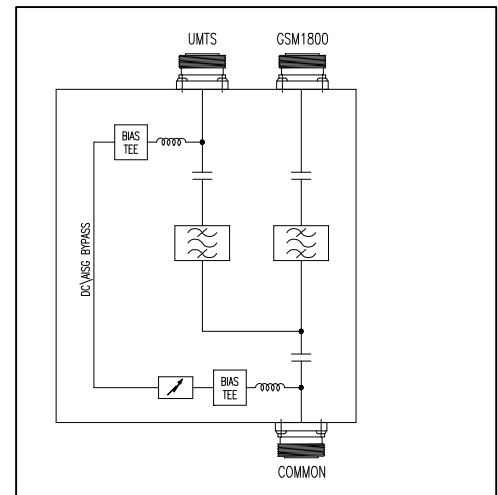
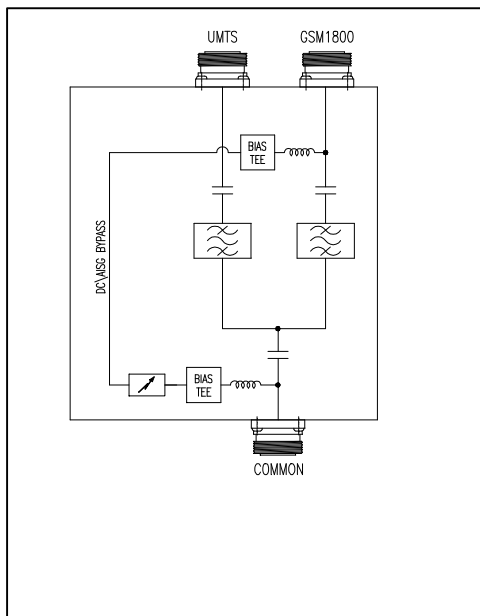
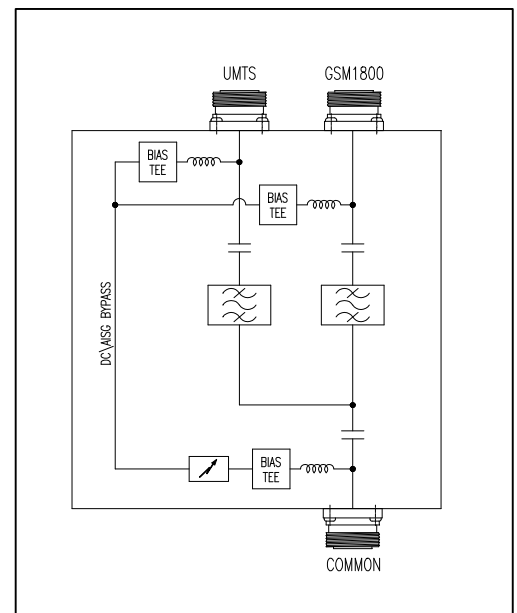


DESCRIPTION

The **CP10700/1/2** is a high-isolation diplexer designed for combining or splitting signals in the full GSM1800 and UMTS bands on a single RF cable. The unit is configured to provide a path for DC and AISG signals between various ports. Its small size makes it suitable for masthead installations where space is a premium and may be used for indoor or outdoor applications.


CP10700: DC / AISG path from common to UMTS port only

CP10701: DC / AISG path from common to GSM1800 port only

CP10702: DC / AISG path from common to GSM1800 and UMTS ports

COMBILENT A/S

Gydevang 21 D 3450 Allerød Denmark. Phone: +45 48 16 92 00 Fax: +45 48 14 51 05 CVR: 19 62 37 42
 E-post: combilent@combilent.com www.combilent.com

Bankers: Nordea DK BIC: NDEADKKK
 IBAN number for EURO: DK5720005036072719 IBAN number for DKK: DK4220006446947204



CP10700 / CP10701 / CP10702
Cross Band Diplexer
1800 - UMTS
 Indoor / Outdoor

PERFORMANCE CHARACTERISTICS

Specifications apply across the operating temperature range and frequency band unless otherwise stated.

GSM 1800 channel	
Pass band	1710 – 1880 MHz
Input & Output Impedance	50 Ohms
Insertion Loss	0.2 dB typ. (0.5 dB max.)
Insertion Loss Variation	0.3 dB max.
Common Port Return Loss	18.0 dB min.
Channel Port return Loss	18.0 dB min.
Attenuation 1920 – 2170 MHz	60.0 dB min.
UMTS Channel	
Pass band	1920 - 2170 MHz
Input & Output Impedance	50 Ohms
Insertion Loss	0.2 dB typ. (0.5 dB max.)
Insertion Loss Variation	0.3 dB max.
Common Port Return Loss	18.0 dB min.
Channel Port return Loss	18.0 dB min.
Attenuation 1710 – 1880 MHz	60.0 dB min.
Power rating (common port matched better than VSWR 1.25:1) GSM 1800 UMTS	240 W average, 1000 W peak max. 60 W average, 1000 W peak max.
Intermodulation products (any band)	<-150 dBc (3 rd order with 2 x 20 W)
Temperature Range	-20 °C to +70 °C storage -10 °C to +60 °C operating
Altitude	2,600m max
Environmental Rating	IP65, connectors IP67
RF Connectors	DIN 7-16 - female x 3, extended shank
Dimensions	217(H) x 127(W) x 50(D) mm
Weight	4 kg max
Mounting	Pole using hose clamps
Lightning protection	8/20us, +/-10kA max, 10 strikes each, IEC61000-4-5
MTBF	>500,000 hours
DC Path	See below diagrams
AISG Modulation Compatible	Yes
Max. DC Current	2.5 A

COMBILENT A/S

Gydevang 21 D 3450 Allerød Denmark. Phone: +45 48 16 92 00 Fax: +45 48 14 51 05 CVR: 19 62 37 42
 E-post: combilent@combilent.com www.combilent.com

Bankers: Nordea DK BIC: NDEADKKK
 IBAN number for EURO: DK5720005036072719 IBAN number for DKK: DK4220006446947204